

# GSC 700

## Compact Soundproofed Granulator

- Knives are adjusted outside of the machine
- Compact design
- Different rotor types available
- Soundproofed housing
- Aggressive tangential infeed



Rotor and stator knives are pre-set outside the machine prior to installation in a supplied fixture. This makes awkward adjustment inside the machine unnecessary.



In order to keep the GSC series as compact as possible, motor and hydraulic opening system are integrated into the sound dampening enclosure of the machine.



The user friendly design of the GSC series granulators allows quick and easy access to the cutting chamber for maintenance and cleaning.

### General Description

The GSC compact/sound proof granulators are designed with a complete sound proof enclosure resulting in an extremely quiet operation. Different rotor designs are available in widths ranging from 700 mm to 1400 mm with a diameter of 700 mm. The completely welded cutting chamber in conjunction with the "V" type rotor design ensures dependability in operation and universal application use. While it delivers excellent sound proofing capabilities, it still offers easy and quick access to the cutting chamber during rotor and stator knife changes, servicing or screen changes. The sound dampening material used in these machines is based on the latest technological research.

### Applications

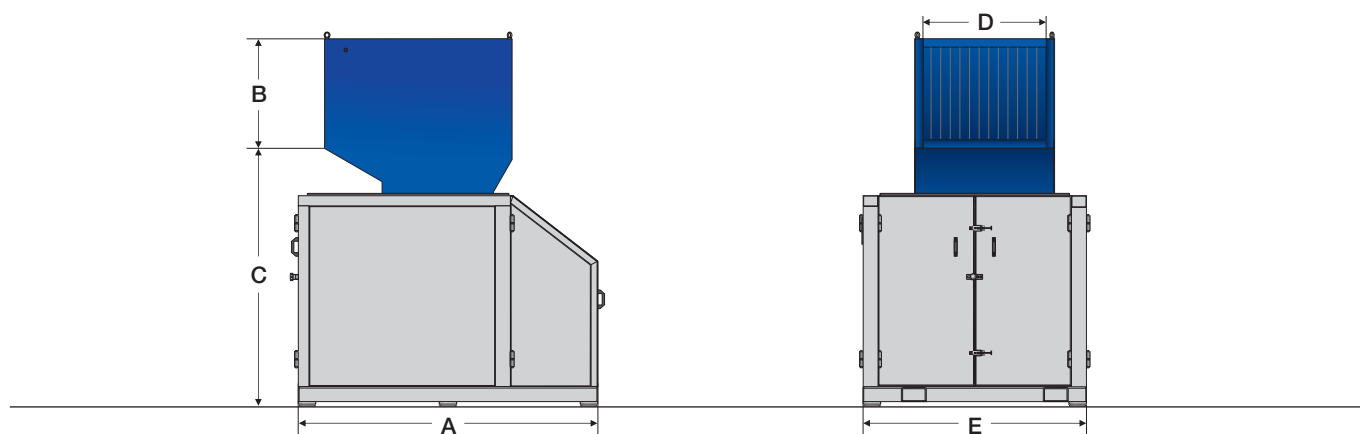
The cutting geometry of the GSC series allows even voluminous materials to be ground. The complete GSC series line achieves a high quality regrind independent of the material type or form such as injection molded parts, blow molded parts, profiles, sheets, film, etc. The 700 series GSC machines are mainly used as central granulators for processing of large injected or blow molded products as well as film. The integrated sound proofing makes it possible to easily place the machine in existing operations. With different rotor designs and a wide variety of options the machines can be tailored for many different applications.



**The Home of Size Reduction**

# GSC 700

## Compact Soundproofed Granulator



### Technical Specifications and Dimensions

#### Model

|                             |           |           |            |
|-----------------------------|-----------|-----------|------------|
| Rotor diameter (mm)         | 700       | 700       | 700        |
| Rotor width (mm)            | 700       | 1000      | 1400       |
| Drive capacity (kW)         | 45        | 55        | 55         |
| Rotor knife (rows)          | 5 or 7    | 5 or 7    | 5 or 7     |
| Stator blades (rows)        | 2 or 3    | 2 or 3    | 2 or 3     |
| Screen size (mm)            | >6        | >6        | >6         |
| Effective working area (mm) | 720 x 700 | 720 x 990 | 720 x 1400 |
| Weight approx (kg)          | 4200      | 5100      | 6200       |

#### 700/700

|                             |           |
|-----------------------------|-----------|
| Rotor diameter (mm)         | 700       |
| Rotor width (mm)            | 700       |
| Drive capacity (kW)         | 45        |
| Rotor knife (rows)          | 5 or 7    |
| Stator blades (rows)        | 2 or 3    |
| Screen size (mm)            | >6        |
| Effective working area (mm) | 720 x 700 |
| Weight approx (kg)          | 4200      |

#### 700/1000

|                             |           |
|-----------------------------|-----------|
| Rotor diameter (mm)         | 700       |
| Rotor width (mm)            | 1000      |
| Drive capacity (kW)         | 55        |
| Rotor knife (rows)          | 5 or 7    |
| Stator blades (rows)        | 2 or 3    |
| Screen size (mm)            | >6        |
| Effective working area (mm) | 720 x 990 |
| Weight approx (kg)          | 5100      |

#### 700/1400

|                             |            |
|-----------------------------|------------|
| Rotor diameter (mm)         | 700        |
| Rotor width (mm)            | 1400       |
| Drive capacity (kW)         | 55         |
| Rotor knife (rows)          | 5 or 7     |
| Stator blades (rows)        | 2 or 3     |
| Screen size (mm)            | >6         |
| Effective working area (mm) | 720 x 1400 |
| Weight approx (kg)          | 6200       |

A (mm)

2260

2260

2260

B (mm)

780

780

780

C (mm)

2240

2240

2240

D (mm)

715

915

1430

E (mm)

1830

2100

2600

#### ZERMA

311 Era Drive  
Northbrook, IL 60062  
Phone: 1-847-291-1300  
sales@zerma-america.com

zerma.com

