

GSL 300

Beside the Press Granulator

- Direct driven staggered rotor
- Special knife design makes adjustment unnecessary
- Easy access for maintenance and cleaning
- Slow rotor speed creates less noise and dust
- Easily customizable to suit different applications



The curvature of the specially profiled rotor knives ensures a constant cutting radius after re-sharpening thus maintaining the original cutting gap. Awkward knife adjustment is no longer necessary.



Staggered rotor blades creates an individual blade cut thus increasing the cutting torque. All of the machines in this series are therefore suitable for grinding more solid materials and thicker walled sprues.



Due to the Quick snap fasteners used on the GSL series machines, the machines can be opened for cleaning and maintenance quickly without the need for special tools.

General Description

The slow speed granulators in the GSL 300 range feature a staggered 300 mm diameter rotor with widths ranging from 400 to 800 mm. The rotor is directly driven by a geared motor. The low rotor speed reduces the noise level of the machine and creates less dust while grinding. The specially designed knives of the GSL series can be sharpened easily and do not need adjustment afterwards. The material is fed via a sound absorbing feed hopper that can be tailored to fit various applications and feeding ways. Depending on the requirements, the machines can be fitted with a wide variety of hoppers, be mounted on either low or high level base frames with matching suction bins or bag filling adapters. Quick snap fasteners and hand screws are used to access the machine making cleaning and maintenance fast and easy.

Applications

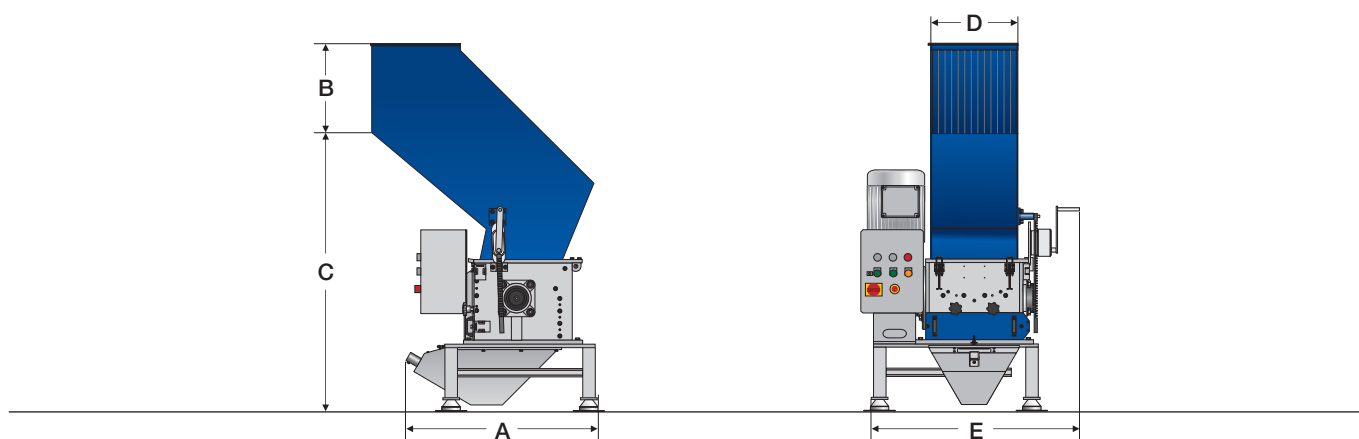
The GSL slow speed granulators of the 300 series are mainly used in injection and blow molding processes such as beside the press machines to grind runners and sprues. But they can be used as low noise central granulators for small throughput requirements as well. The stronger design of the 300 series GSLs allow them to be used for stronger and thicker materials while offering the same advantages of low noise and dust as the smaller GSL machines. All GSL models can be equipped with a built in blower system in case a vacuum loading system is not available, or to transport the ground material to bags for storage.



The Home of Size Reduction

GSL 300

Beside the Press Granulator



Technical Specifications and Dimensions

Model

Rotor diameter (mm)
Rotor width (mm)
Rotor speed (rpm)
Drive capacity (kW)
Rotor knife (pcs)
Stator blades (rows)
Screen size (mm)
Weight approx (kg)

300/400

300
400
150
7.5
33
2
>5
550

300/600

300
600
150
11
48
2
>5
950

300/800

300
800
150
18.5
66
2
>5
1100

A (mm)

950

1125

1200

B (mm)

400

400

400

C (mm)

1335

1335

1340

D (mm)

405

600

830

E (mm)

1035

1230

1635

ZERMA

311 Era Drive
Northbrook, IL 60062
Phone: 1-847-291-1300
sales@zerma-america.com

zerma.com

