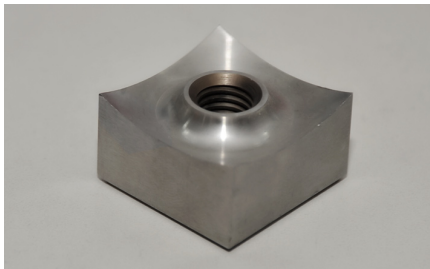


# ZRS

## Pipe/profile Shredder

- No pre-cutting of pipe lengths necessary
- Process pipes up to 1200 mm diameter
- Automatic control giving virtually risk free operation
- Elimination of amperage peaks
- High throughput rates
- Allows feeding of bundles or nested pipes and profiles
- Large diameter rotor (up to 1500 mm)



The shredders use concave, ground, square knives producing high quality output. The cutters can be turned after a side is worn out.



The ZRS shredders use very large diameter flat E-style rotors. The knives are fixed in special knife holders fitted in machined pockets.



The ZRS pipe shredders are equipped with a special feeding trough sized to take pipes of up to 6 m length. A powerful hydraulic ram forces the pipes into the rotor.

### General Description

The ZRS shredder is the world's first single shaft shredder capable of handling large diameter pipes (up to 1200mm dia ) without the need for pre cutting. Since their introduction, they have become the per se standard for pipe shredding and are used worldwide by leading pipe manufacturers. More than 200 installations demonstrate our technological leadership in this industry and continuing innovation is based on market demands and customer feedback. Dependent on pipe diameter, the ZRS rotor diameters and widths range from 800mm up to 1500 mm. The standard hopper accepts pipe lengths of up to 6 m. The combination of advanced controls, low rotor speed, and smooth hydraulics create a reliable and easy to use system.

### Applications

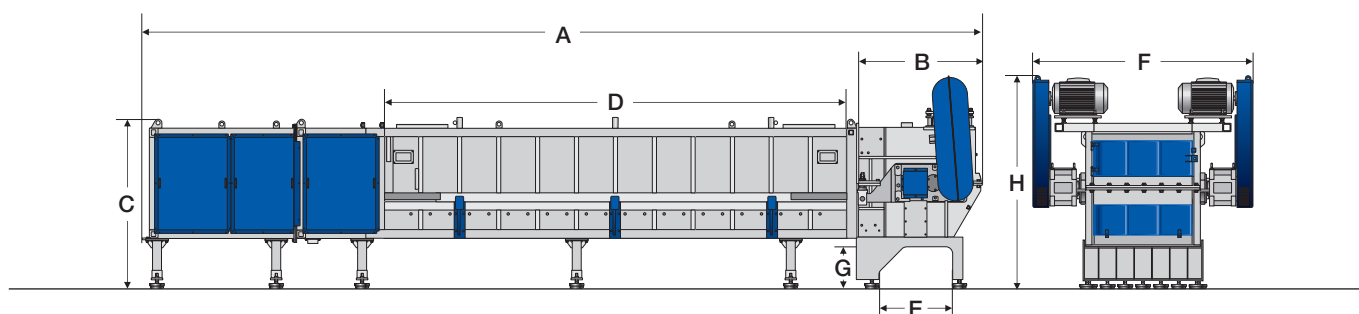
The main focus of the ZRS shredders is the shredding of large diameter pipes or bundles of smaller pipes and profiles made from HDPE, PP and PVC. The machines can also be used for recycling of other plastic materials such as large lumps, stacked wheelie bins, and pallets. In combination with other ZERMA size reduction equipment such as granulators and pulverizers, we are able to provide a complete turn-key recycling solution.



**The Home of Size Reduction**

# ZRS

## Pipe/profile Shredder



### Technical Specifications and Dimensions

#### Model

Rotor diameter (mm)  
 Rotor width (mm)  
 Rotor speed (rpm)  
 Drive capacity (kW)  
 Rotor knife (pcs)  
 Stator blades (rows)  
 Ram feeder drive (kW)  
 Feeding trough volume (m<sup>3</sup>)  
 Biggest pipe (mm)  
 Weight approx (kg)

#### 800

852  
 850  
 40  
 2 x 37  
 60  
 1 or 2  
 11  
 2.7  
 3500 x 630  
 11000

#### 1000

1033  
 1130  
 36  
 2 x 45  
 81  
 1 or 2  
 15  
 6.7  
 6500 x 850  
 16000

#### 1500

1482  
 1410  
 23  
 2 x 55  
 136  
 1 or 2  
 15  
 12.6  
 6500 x 1200  
 25000

A (mm)  
 B (mm)  
 C (mm)  
 D (mm)  
 E (mm)  
 F (mm)  
 G (mm)  
 H (mm)

7695  
 1420  
 1830  
 3860  
 975  
 2545  
 590  
 2565

11940  
 1580  
 1965  
 6720  
 1080  
 2965  
 590  
 2660

12180  
 1820  
 2320  
 6720  
 1080  
 3250  
 590  
 3160

#### ZERMA

311 Era Drive  
 Northbrook, IL 60062  
 Phone: 1-847-291-1300  
 sales@zerma-america.com

zerma.com

